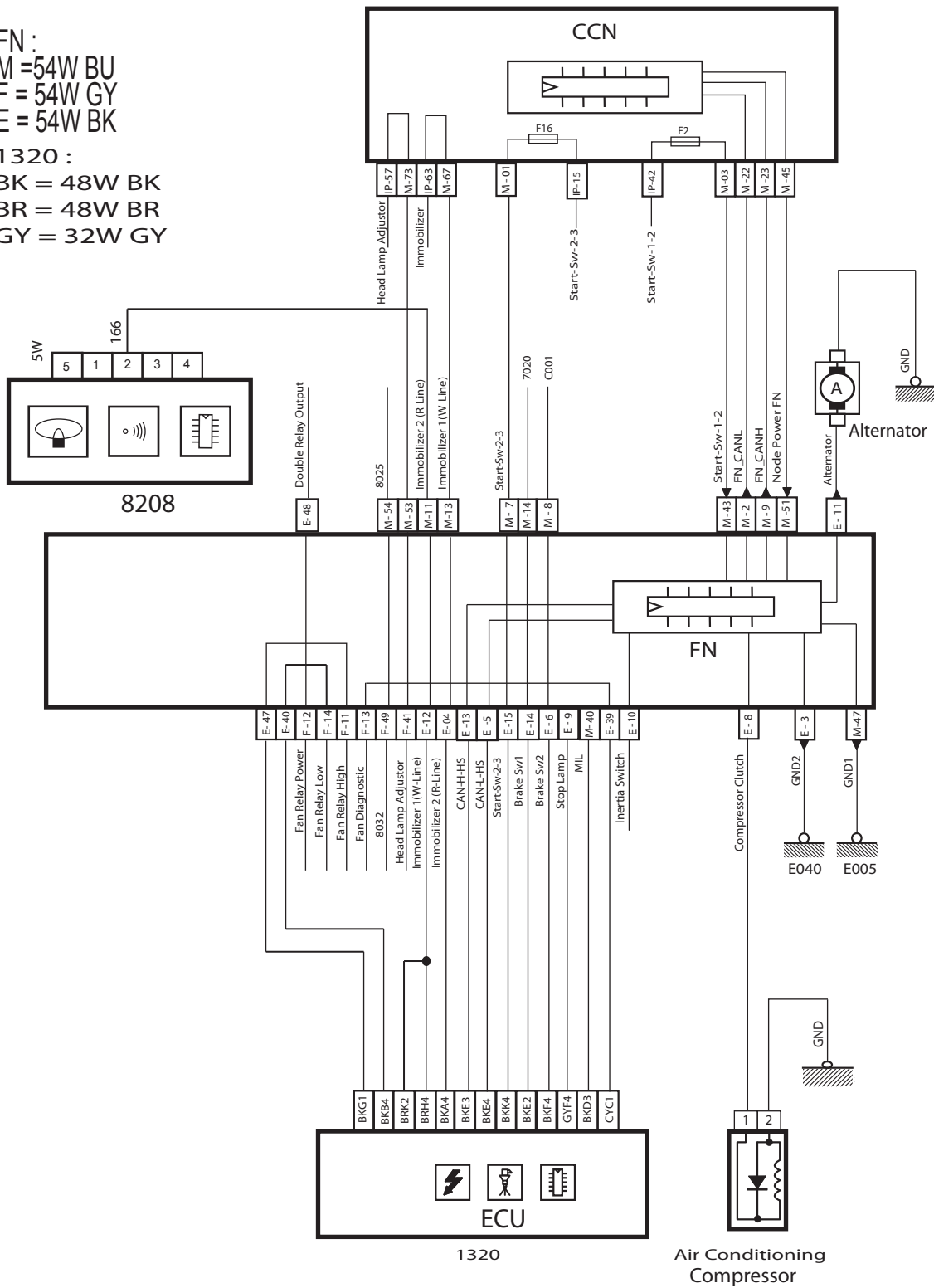
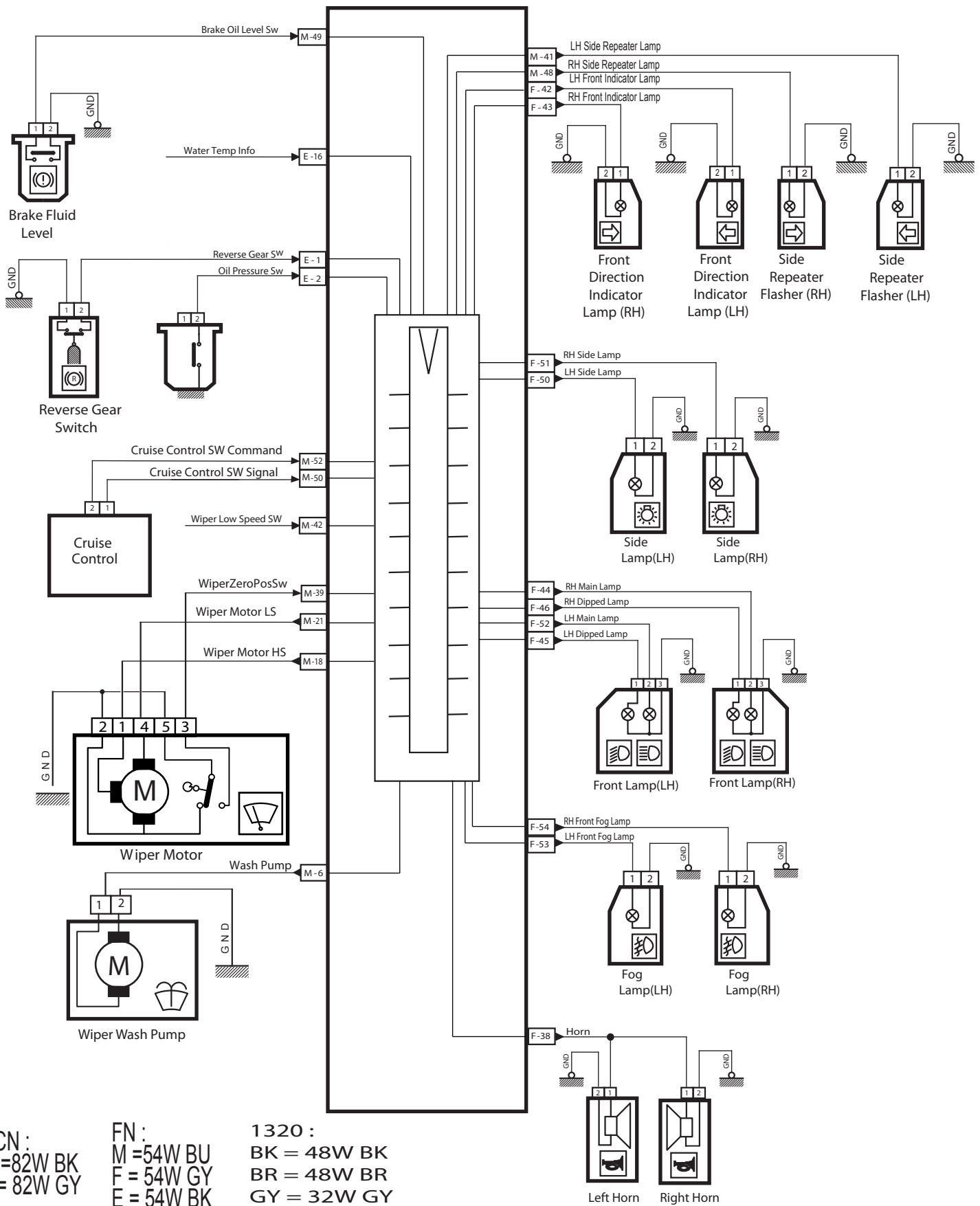


CCN :  
 M = 82W BK  
 F = 82W GY

FN :  
 M = 54W BU  
 F = 54W GY  
 E = 54W BK

1320 :  
 BK = 48W BK  
 BR = 48W BR  
 GY = 32W GY





E = 54W BK  
M = 54W BU  
F = 54W GY

